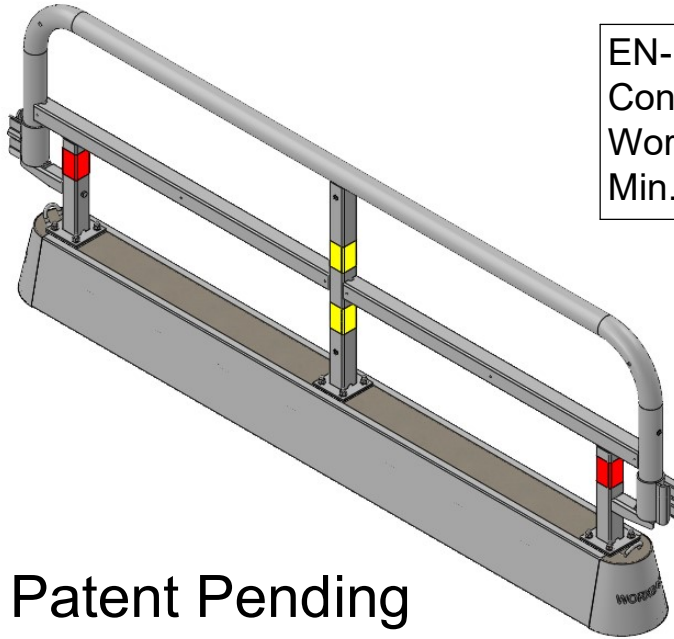


Road Fence T1



EN-1317
Containment level: T1(80 km/h)
Working width: W6(1,9 m)
Min. installation length: 72 m

Galvanized



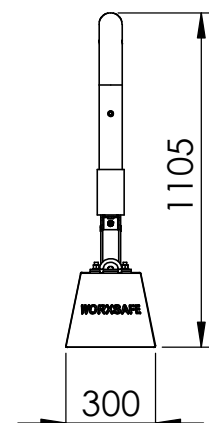
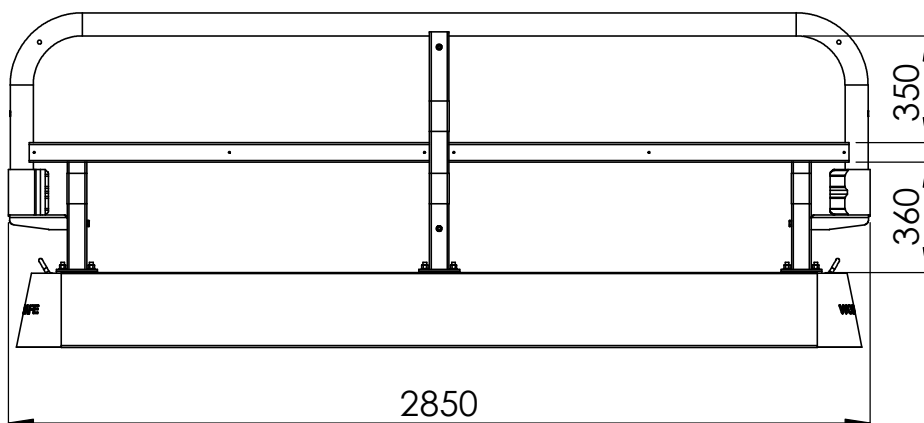
Steel &
Concrete



435

Patent Pending
Protected Design

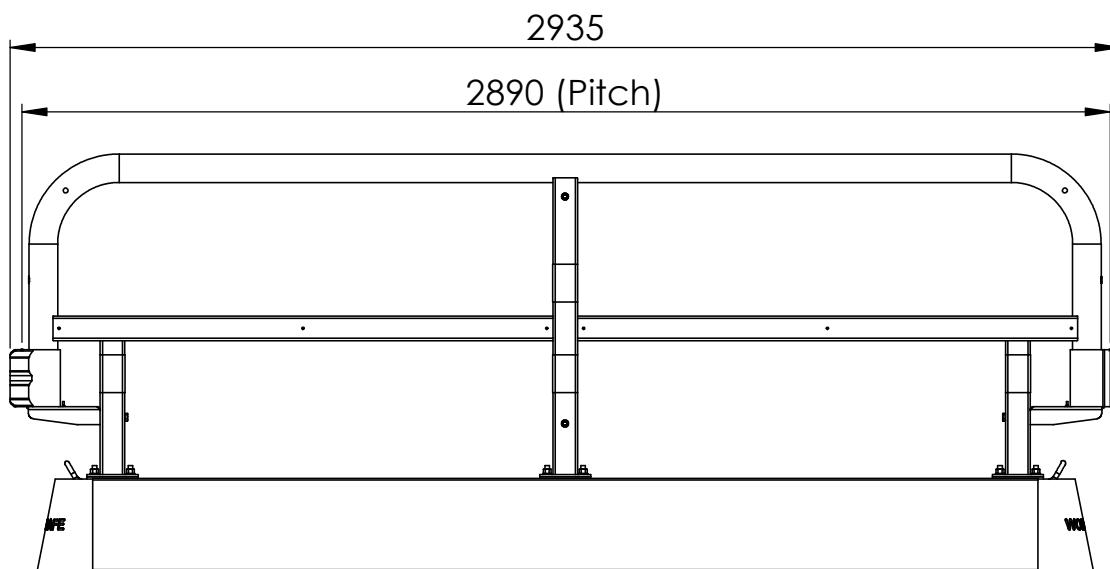
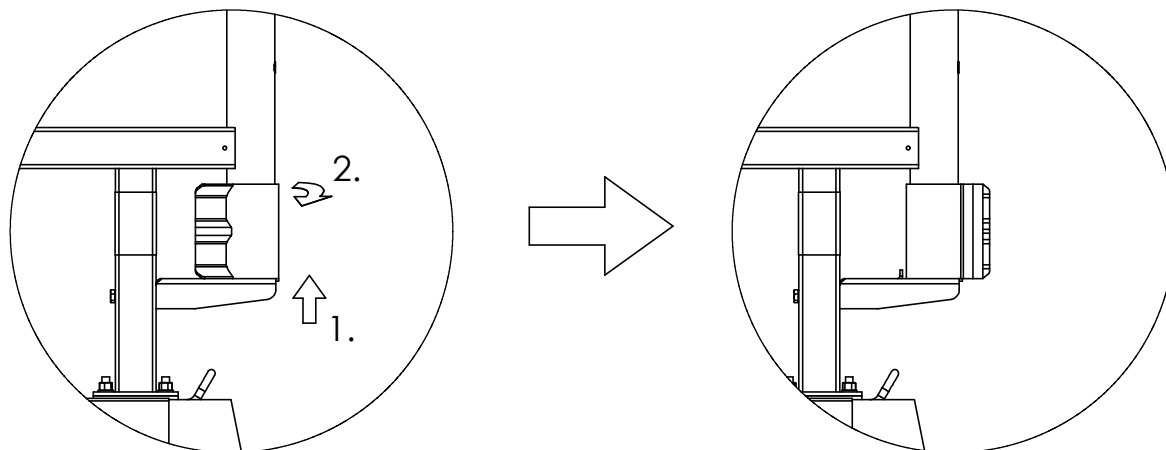
[mm]



(Transport mode)

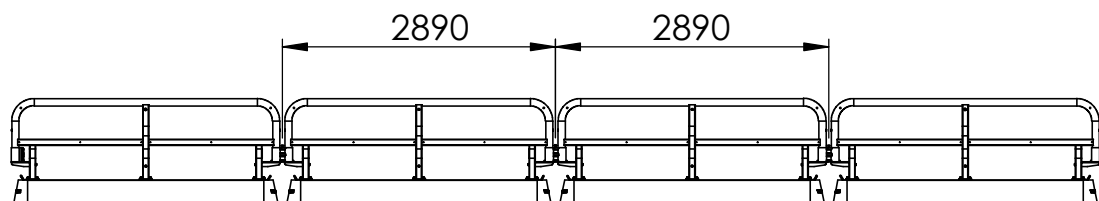
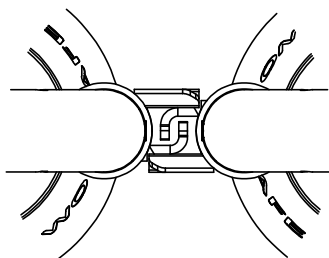
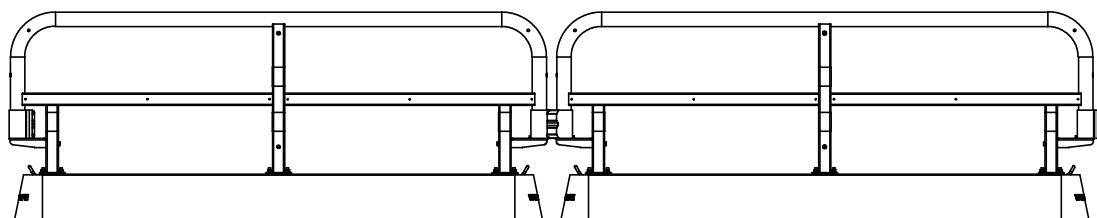
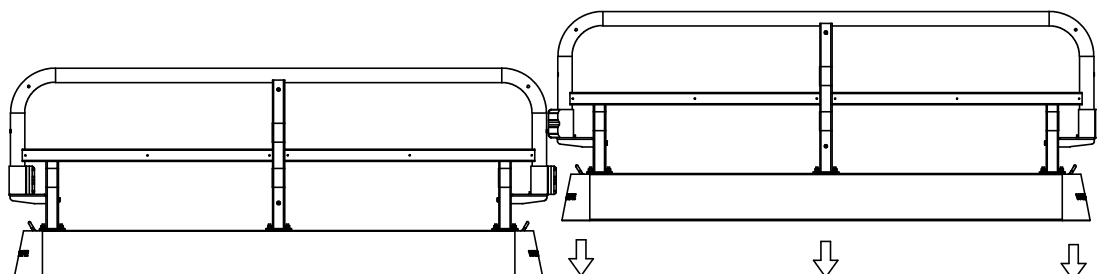


Installation



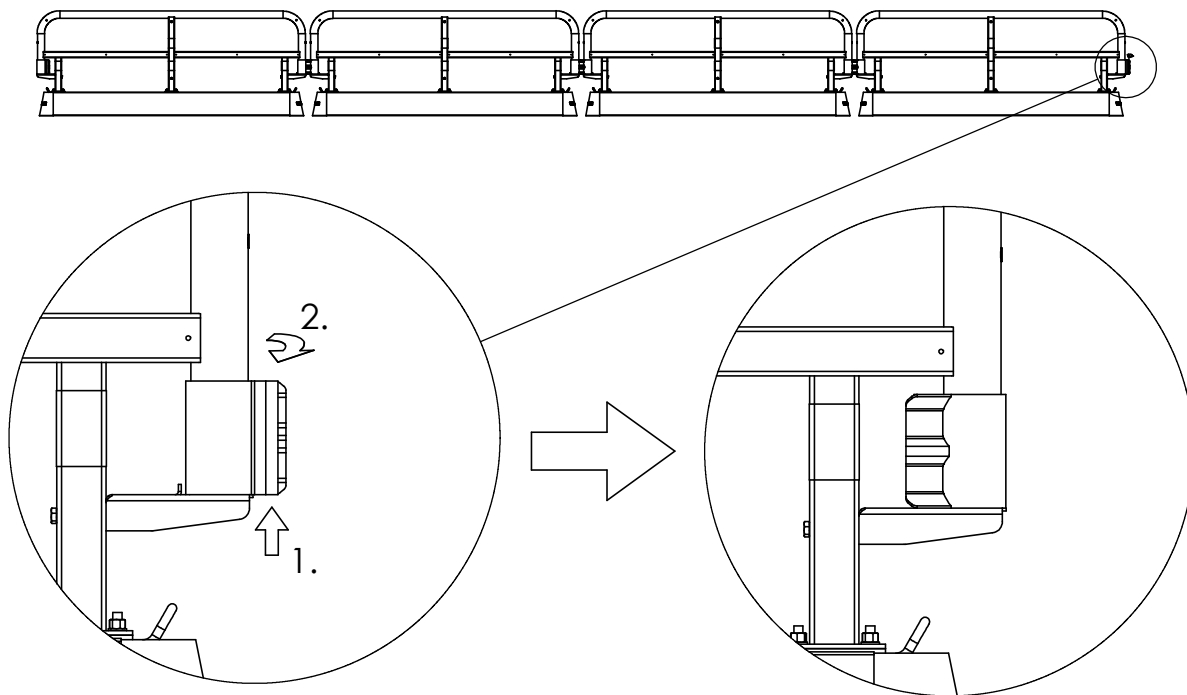


Installation

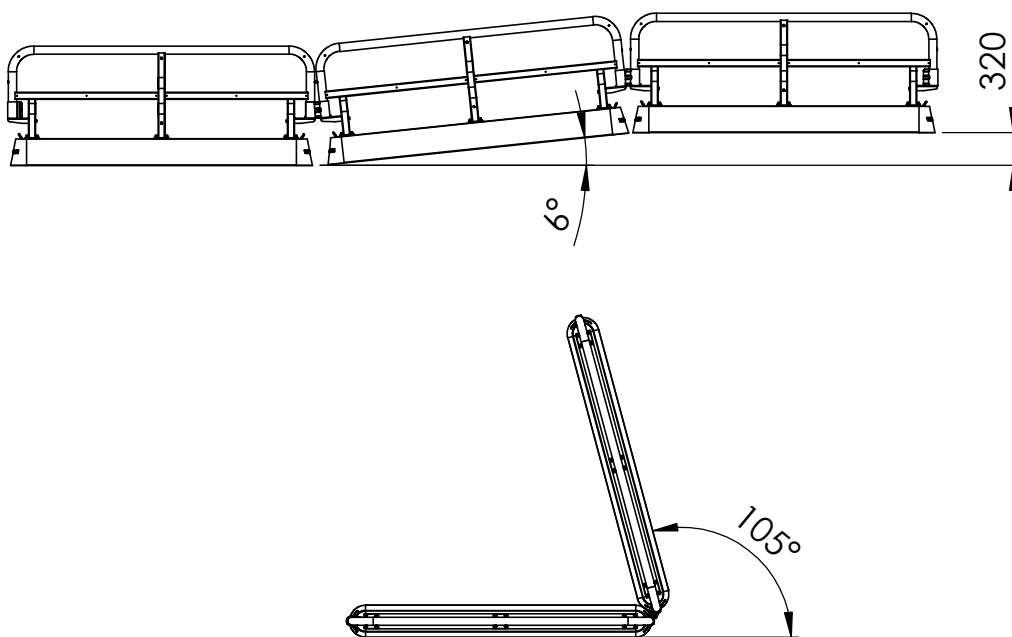


Keep hands away from connector part when lifting to avoid injuries.

Installation

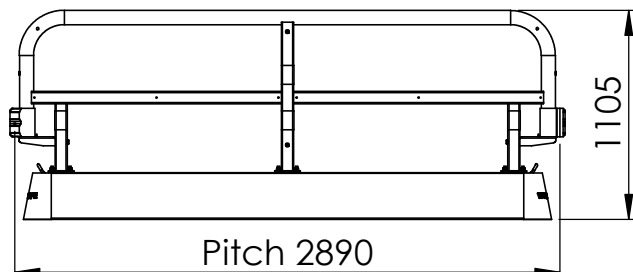


Possible Angles



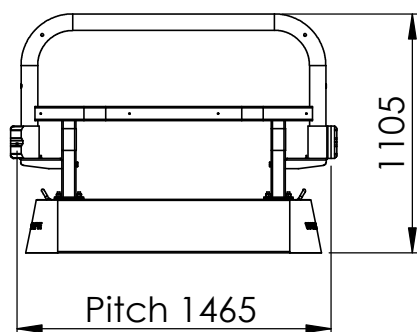
Product family

833000 Road Fence T1



- Containment level: T1(80 km/h)
- Working width: W6 (1,9 m)
- Min. installation length: 72 m

833002 Road Fence 1.45 m









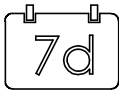


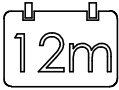


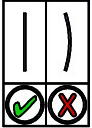




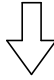
- Ideal for flexibility

GENERAL

- Always read the manufacturer's instructions to ensure that the product is used correctly and safely.
- If anything is unclear, contact the manufacturer or your retailer.
- Never mix products from different manufacturers.
- Do never exceed the specified load limits.

STORAGE

- Store as far as possible in non-corrosive environment.
- Store the products according to the manufacturer's intended way for example when stacking to minimize the risk of personal injury.

 Technical information	 Weight	 Nm Tighen with torque
 Inspect	 Recycling	 Loosen
 Inspection interval (days)	 Correct	 Max allowed wind speed
 Inspection interval (months)	 Incorrect	 Force
 Inspect straightness	 Be aware!	 Moment
 Inspect for cracks	 Tighten	 Insert